

# Lowel's New SoftCore™

## A Revolutionary Fluorescent System for Your Soft Box

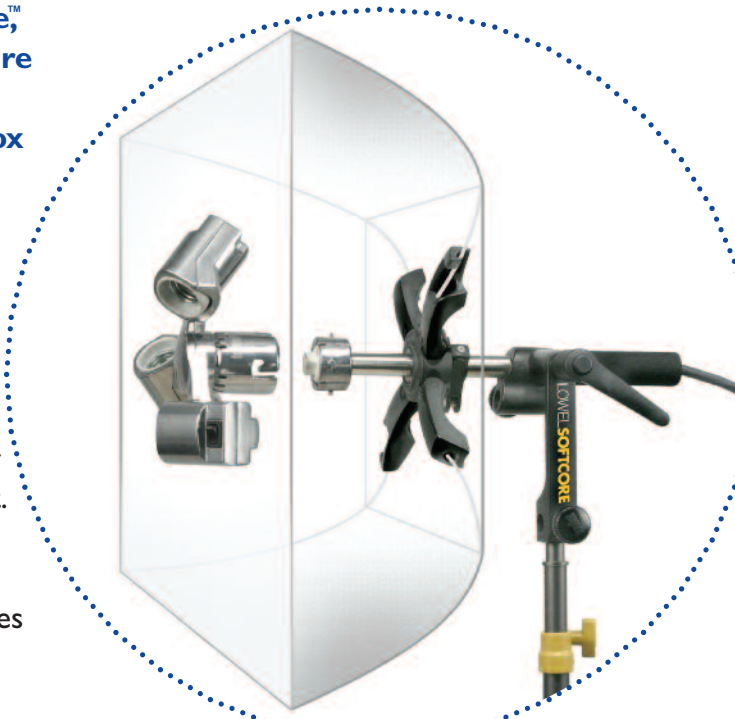
**Introducing SoftCore™, a compact light fixture that adds versatility and control to softbox lighting setups.**

- Its quick exchange lampheads swap easily, and give the option of using up to 5 screw-threaded fluorescent lamps, for lighting larger areas with more output.

- Its unique patented 4 arm system now makes conventional soft boxes fast to attach, and a breeze to rotate.

- Used with our new 80 Watt high C.R.I. fluorescent lamps, Softcore delivers beautiful, soft, constant source daylight that accurately renders all the colors of your shot.

**Lowel's new SoftCore™ is a multi-patented system, designed to use the modular accessory fluorescent lampheads of the Rifa eXchange System.**



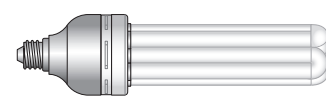
**FLO-X1 Head**  
(Code: FLO-X1)  
1 single Edison type screw thread lamp socket



**FLO-X3 Head**  
(Code: FLO-X3)  
1 single Edison type screw thread lamp socket

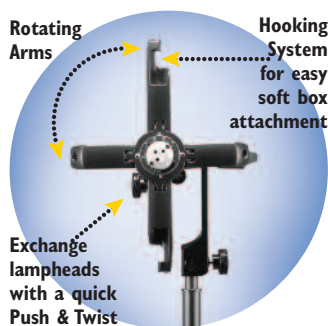


**FLO-X5 Head**  
(Code: FLO-X5)  
5 Edison screw thread sockets, individually switched



**80 Watt Fluorescent Lamp**  
120v (Code: E1-80),  
220v (Code: E1-80E)  
New 80 Watt Daylight fluorescent lamp, with high 90+ C.R.I. (color rendering index) and 8,000 hour lamp life

- SoftCore works with popular video accessory softboxes.
- 3 easy to swap fluorescent lamphead options.
- Uses Lowel's High C.R.I. compact fluorescents and other Edison base CFL's.
- Patented 4 arm hooking system makes softbox attaching quick & painless.
- Arms rotate & adjust for optimum softbox balance and position.
- Convenient tilt handle for smooth lighting angle adjustments.
- Allows attachment of a Lowel Pole & Weight for perfect balance on the stand, when using larger front heavy lampheads, lamps, & softboxes.
- Folds down efficiently for compact kit storage.
- US Patents: 6,176,598  
7,416,316

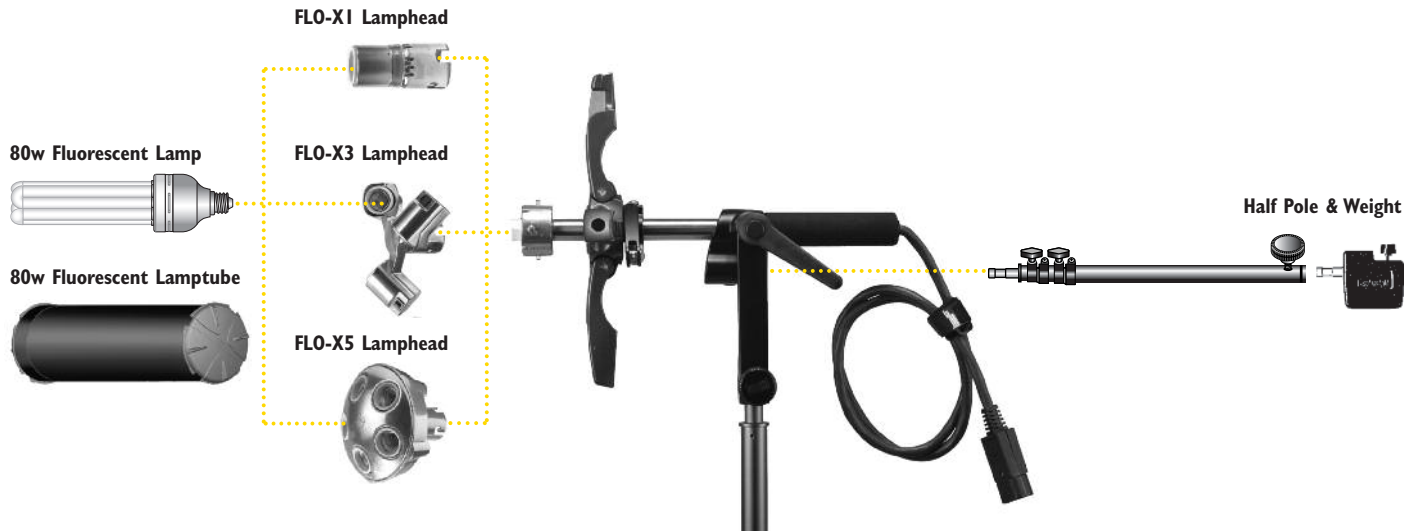


**Lowel SoftCore™**  
(Code: SX-10)



Accepts Lowel Half Pole & Weight for counter-balancing heavier lampheads & softboxes.





## Lights &

### Lowel SoftCore

#### Code: SX-10

Lowel SoftCore with 16' T1-80 AC Cable (less lampheads & lamps).

### Lowel SoftCore w/FLO-X1 Head

#### Code: SX-101

Lowel SoftCore with 16' T1-80 AC Cable, and FLO-X1 single socket lamphead (less lamps).

### Lowel SoftCore w/FLO-X3 Head

#### Code: SX-103

Lowel SoftCore with 16' T1-80 AC Cable, and FLO-X3 individually switched 3 socket lamphead (less lamps).

### Lowel SoftCore w/FLO-X5 Head

#### Code: SX-105

Lowel SoftCore with 16' T1-80 AC Cable, and FLO-X5 individually switched 5 socket lamphead (less lamps).

## Lowel eXchange Lampheads

SoftCore uses some of the accessory lampheads of the Lowel Rifa eXchange System. They should only be used with fluorescent lamps. All are available separately.

### FLO-X1 Head

#### Code: FLO-X1

Single Edison Lamp Socket, unswitched.

### FLO-X3 Head

#### Code: FLO-X3

Three Edison Lamp Sockets, switched.

### FLO-X5 Head

#### Code: FLO-X5

Five Edison Lamp Sockets, switched.

## Lamps & Lamptubes

Lowel SoftCore's lampheads use fluorescent lamps with an Edison screw-thread base.

### 80 Watt Fluorescent Lamp

#### Code: E1-80

120v, 80w, 5500k, 90+ C.R.I., 8000 hr life

### 27 Watt Fluorescent Lamp

#### E1-27

120v, 27w, 5500k, 90+ C.R.I., 8000 hr life

#### E1-27E

220v, 25w, 5500k, 90+ C.R.I., 8000 hr life

### Fluorescent Lamptubes

FLO-X63 Plastic tube with foam padding  
Holds 1 80w lamp (less lamps)

FLO-X61 Plastic tube with foam padding & center divider. Holds 2 27w lamps (less lamps)

## Case

### Large Rifa Litebag

#### Code: LB-40

#### Size: (trapezoid shape)

36.25 x 8 x 8.25"  
(92 x 21 x 21.6 cm)

Made of polyester with vinyl coated backing. Has inside storage pockets, and padded shoulder strap (SS-10).

## Kits

### Lowel SoftCore FLO-X3 Kit

#### Code: SX-903LB

Lowel SoftCore with FLO-X3 lamphead (SX-103), 3 80w daylight fluorescent lamps (E1-80), 3 80w Lamptubes (FLO-X63), in Large Rifa Litebag (LB-40).

Note: this kit does not come with a stand. The recommended stand is the Lowel KS Stand.

### Lowel SoftCore FLO-X5 Kit

#### Code: SX-905LB

Lowel SoftCore with FLO-X5 lamphead (SX-105), 5 80w daylight fluorescent lamps (E1-80), 5 80w Lamptubes (FLO-X63), in Large Rifa Litebag (LB-40).

Note: this kit does not come with a stand. The recommended stand is the Lowel KS Stand. It is also recommended that you use the Half Pole & Weight to counterbalance the FLO-X5 and attached soft box.

## Mounts

### KS Stand

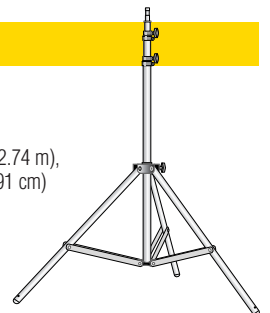
#### Code: KS

**Maximum height:** 9' (2.74 m),

**Collapsed length:** 3' (91 cm)

**Weight:** 4 lbs (1.8 kg)

Wide based, sturdier, lightweight stand with 5/8" (1.59 cm) stud.



# lowel®

**Lowel-Light Manufacturing, Inc.**

90 Oser Avenue, Hauppauge, NY, 11788

**Call:** 800 645-2522 • 631 273-2500

**www.lowel.com**

**TIFFEN**