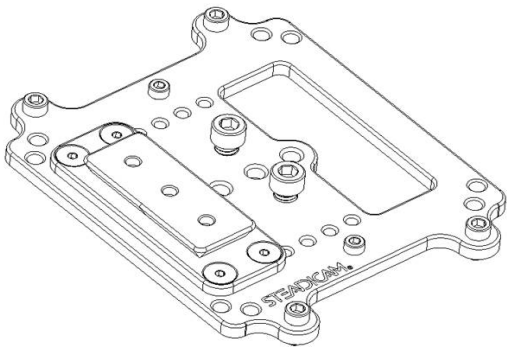
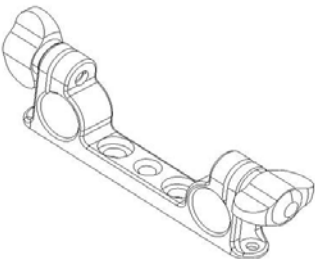
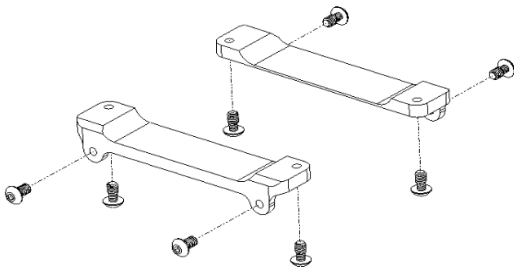




TO ASSURE PROPER OPERATION OF YOUR STEADICAM VOLT, IT'S IMPORANT THAT THE VOLT CONTROL BOX BE SECURELY MOUNTED TO THE STAGE. THE BELOW ARE RECOMMENDED ACCESSORY MOUNTING SOLUTIONS

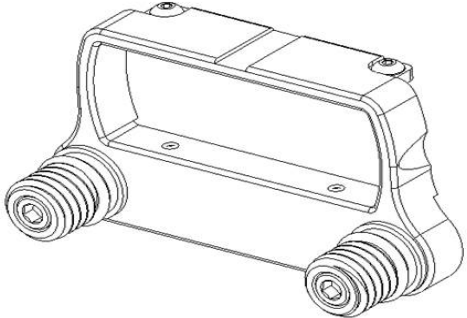
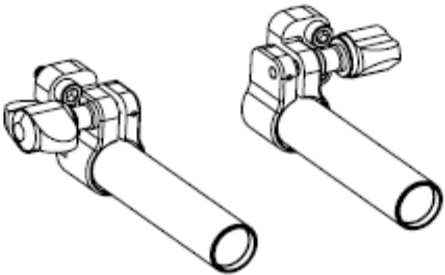
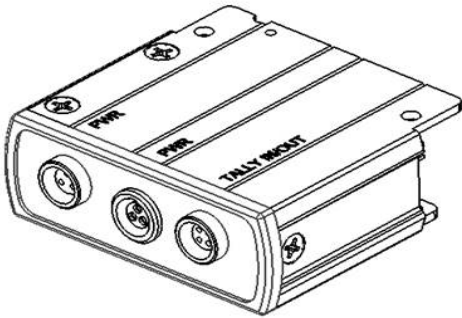
<p>817-7915</p> 	<p>817-7915</p>	<p>\$125.00</p>
<p>VOLT CONTROL BOX & MDR MOUNTING PLATE FOR PRO: DESIGNED WITH THE GPI PRO AND PRO-CINE-LIVE IN MIND, THIS VERSATILE PLATE ALLOWS MOUNTING OF THE VOLT CONTROL BOX & PRESTON MDR-2 OR MDR-3. PLATE INCLUDES A PRO COMPATIBLE DOVETAIL MOUNT OR CAN BE USED WITH 15MM RODS ON 60MM LWS CENTER WITH THE ADDITION OF THE 817-7955 ROD MOUNT BRACKET</p>		
<p>817-7955</p> 	<p>817-7955</p>	<p>\$95.00</p>
<p>15MM LWS ROD MOUNT: THIS ROD MOUNT BRACKET CAN MOUNT DIRECTLY TO THE VOLT CONTROL BOX OR TO THE 817-7915 VOLT CONTROL BOX & MDR MOUNTING PLATE FOR PRO. USE WITH SHADOW, ARCHER AND NON-STEADICAM SYSTEMS</p>		
<p>817-7960</p> 	<p>817-7960</p>	<p>\$200.00</p>
<p>MOUNTING BRACKET: BRACKETS MOUNT THE VOLT CONTROL BOX TO ANY EXISTING PRESTON MDR-3 CONTROLLER. NOTE: IT'S IMPORTANT THAT THE MDR-3 BE SECURELY MOUNTED TO THE RIG VIA A ROD OR BRACKET MOUNTING SYSTEM BEFORE MOUNTING VOLT CONTROL BOX. USE: ALL SYSTEMS</p>		

NOTE: THE STEADICAM VOLT SYSTEMS ARE GYROSCOPICALLY CONTROLLED AND REQUIRE SECURE MOUNTING OF THE VOLT CONTROL BOX. THEREFORE MOUNTING OF THE VOLT CONTROL BOX BY MEANS OF VELCRO[®] OR OTHER ADHESIVE PRODUCTS IS NOT RECOMMENDED. FAILURE TO SECURELY MOUNT THE CONTROL BOX MAY COMPROMISE THE OPTIMAL PERFORMANCE OF THE STEADICAM VOLT

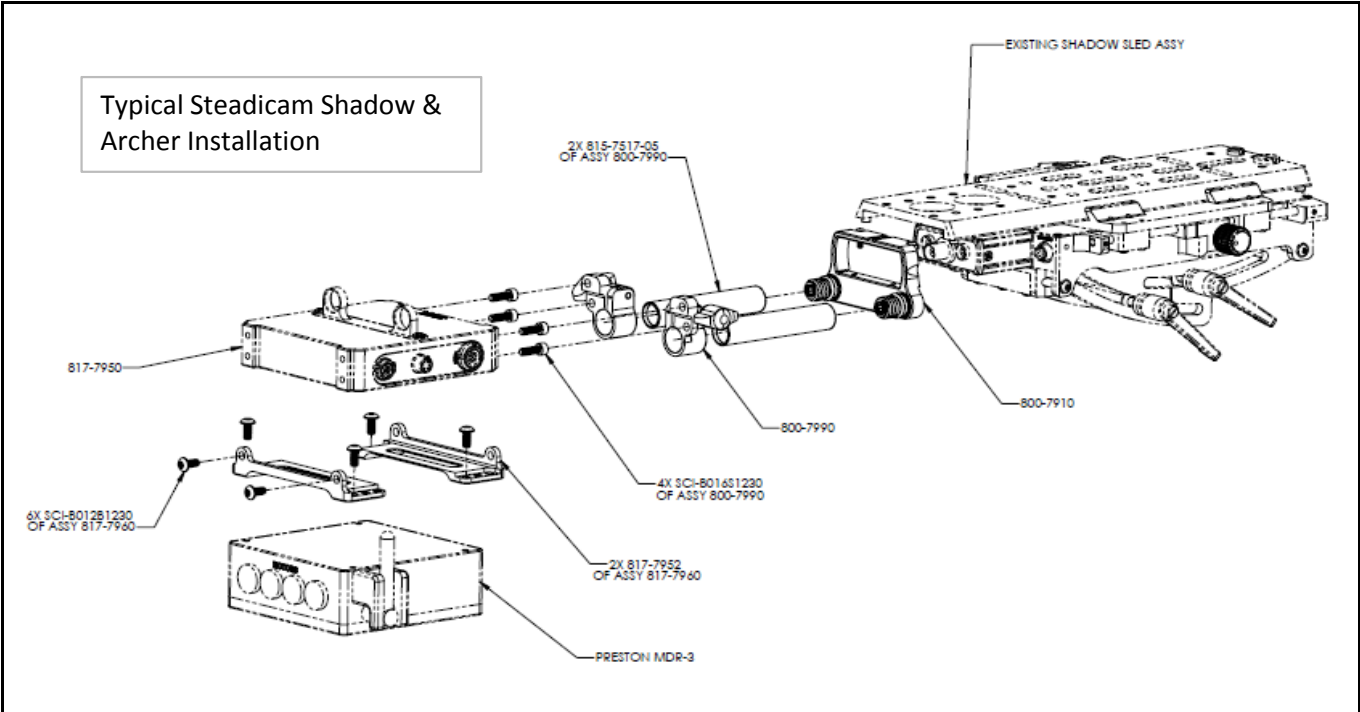
PRESTON MDR 2 AND MDR 3 ARE TRADEMARKS OF PRESTON INC. PRO IS REGISTERD TO GPI INC.



TO ASSURE PROPER OPERATION OF YOUR STEADICAM VOLT, IT'S IMPORANT THAT THE VOLT CONTROL BOX BE SECURELY MOUNTED TO THE STAGE. THE BELOW ARE RECOMMENDED ACCESSORY MOUNTING SOLUTIONS

<p>800-7910</p> 	<p>800-7910</p>	<p>\$195.00</p>
<p>NOSE BOX ROD MOUNT BRACKET: MOUNTS TO ANY STEADICAM LONG OR SHORT NOSE BOX TO ALLOW MOUNTING OF VOLT CONTROL BOX OR OTHER ACCESSORIES VIA A 15MM ROD MOUNT ON LWS CENTER. RODS ARE NOT INCLUDED. USE IN CONJUNCTION WITH 817-7955 15MM LWS ROD MOUNT BRACKET FOR VOLT CONTROL BOX MOUNTING. NOTE THIS BRACKET IS INCLUDED WITH ALL VOLT SYSTEMS FOR SHADOW, ULTRA2, CLIPPER3 & ARCHER2 VOLT SYSTEMS. 15MM ROD THREADS ARE 1/2-13 STANDARD, NOT METRIC.</p>		
<p>800-7990</p> 	<p>800-7990</p>	<p>\$250.00</p>
<p>ROD MOUNT SET: ULTRA2, CLIPPER, SHADOW & ARCHER2. THIS ROD SET ALLOWS MOUNTING OF VOLT CONTROL BOX TO ACHIEVE A HIGHER CENTER OF GRAVITY TO ACCOMMODATE MDR MOUNTING. USE WITH 800-7910 AND 817-7960 (FOR MDR). SEE ILLUSTRATIONS PAGE FOR MOUNTING DETAILS. NOT INCLUDED WITH ANY VOLT KITS, SOLD SEPARATELY. FOR USE WITH SHORT NOSE BOX ONLY.</p>		
<p>800-7415-04</p> 	<p>800-7415-04</p>	<p>\$950.00</p>
<p>SHORT NOSE BOX: SHADOW, ULTRA2 & ARCHER2. THIS IS A REPLACEMENT FOR THE STEADICAM LONG NOSE BOX FOR THOSE WISHING TO REDUCE WEIGHT AND CREATE A MORE COMPACT VOLT CONTROL BOX MOUNTING SYSTEM. IT ALSO INCLUDES AN ADDITIONAL LEMO POWER CONNECTOR. PLEASE NOTE THAT THE SHORT NOSE BOX DOES NOT WORK WITH THE SHADOW, ULTRA2 AND ARCHER2 MOTORIZED STAGES AND REPLACEMENT WILL MAKE THE MOTORIZED FUNCTION INOPERATIONAL</p>		
<p>NOTE: USE OF THE STEADICAM MOTORIZED STAGE IS NOT RECOMMENDED IN CONJUNCTION WITH USE OF THE STEADICAM VOLT AS THIS AFFECTS THE STAGE BALANCE DURING OPERATION</p>		

**Mounting the Volt control box to: Steadicam Shadow, Ultra2, Clipper3 & Archer2, GPI Pro and Pro CL
 Volt Accessories: How/Where Used: Illustration Page
 817-7910, 817-7990 & 817-7960**



817-7955, 817-7915 & 817-7960

